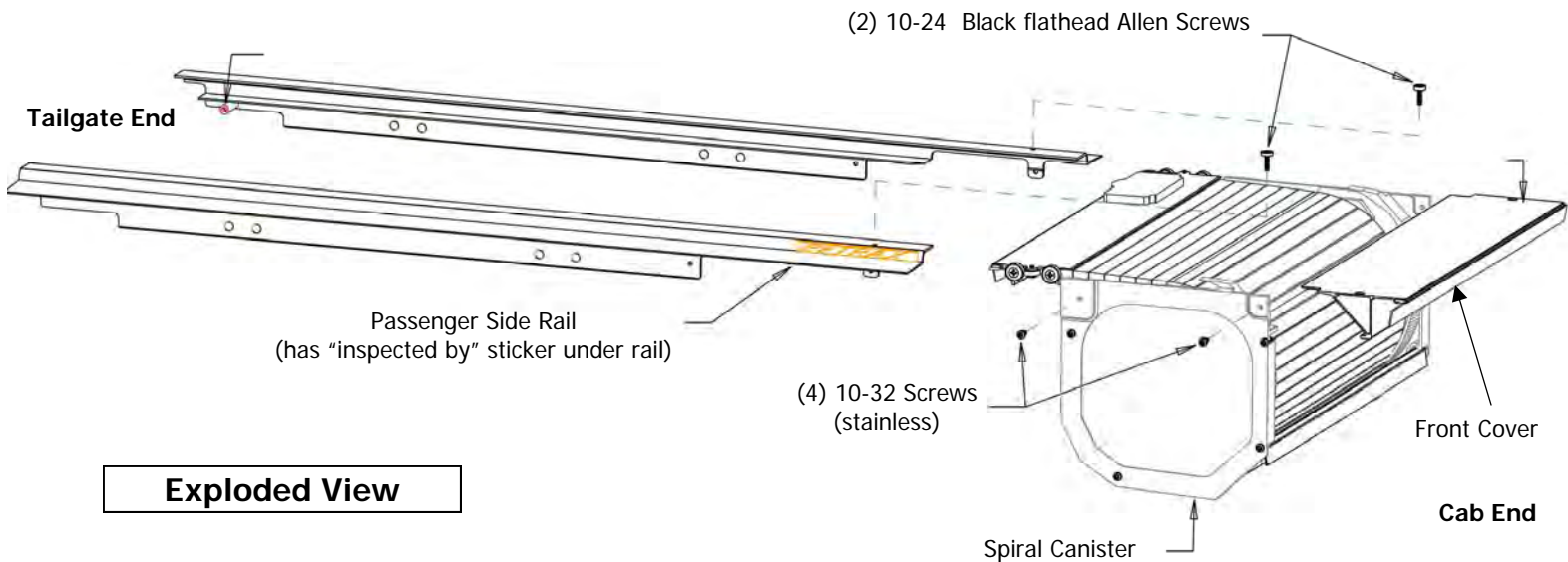


# RETRAX ONE™

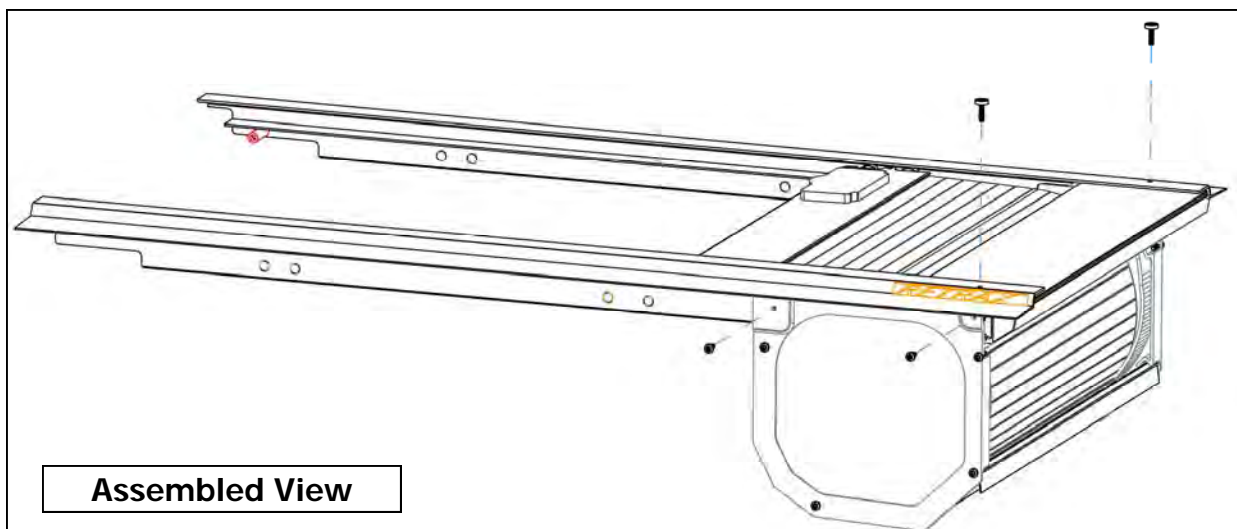
## #1091 Tundra Stepside and F-150 Stepside 04-up Installation Instructions

### Owner's Manual

**Please save Instructions:**  
**Important Warranty and Maintenance**  
**information enclosed**



**Exploded View**



Manufactured in the USA by  
**APPLIED PRODUCTS, INC.**  
An Employee Owned Company  
917 South 46th Street  
Grand Forks, ND 58201  
(701) 746-5596 (Fax) 746-5598  
[www.retrax.com](http://www.retrax.com)  
[retrax@retrax.com](mailto:retrax@retrax.com)  
1-800-206-4070

Scan here to view a brief video  
on how to install a  
RETRAX cover.

Make sure that you have a  
QR Code reader application  
installed on your smartphone.



# RETRAX<sup>ONE</sup>™ ASSEMBLY AND INSTALLATION INSTRUCTIONS

Thank you for your purchase of the **RETRAX™** bed cover system.  
Please read and follow instructions before un-boxing and assembling the bed cover.

**Check for shipping damage.**

Keep boxes and packing until installation is complete.

Unpack carefully to prevent scratching.

Remove protective films from cover and canister after installation is complete.

**Remove the protective plastic films before exposing to direct sunlight.**

**Do Not lubricate RETRAX—See Maintenance page for proper care.**

## Parts checklist for large box

Instruction packet with keys

Cover rolled into canister-spiral assembly

Front cover for canister

Drain tube kit

## Parts checklist for rail box

Driver's side rail

Passenger side rail

Clamp box including;

(4) **Clamps** (style may differ from photo)

(4) **Rail to Canister mounting screws**

10-32 x 7/16" Stainless Phillips head

(2) **Front Cover mounting screws**

10-24 x 3/4" Black Stainless Allen head

(1) 1/8" **Allen wrench**

(1) **6mm Allen wrench (not needed)**

(1) 1/8" **measuring tool**

**Pack of Rubber adjustment spacers**

## Tools Needed

#2 Phillips screwdriver

9/16" wrench (ratchet works best)

Pliers or vice grips



**DO NOT USE LOCTITE!  
USE OF LOCTITE VOIDS WARRANTY**

## Pre-assembly guidelines

Two or more people are recommended for installation and you should allow 1 to 1 ½ hours to complete.

Floor space about the size of pickup box is needed for assembly of the bed cover and rails.

Clear out the pickup box and clean the front and side bed rails.

**Plastic bed liners may have to be cut or notched at the front of the bed if they touch the rolling cover or interfere with proper canister location.** A jig saw with medium tooth blade or a Dremmel or Roto-Zip tool works well. **The front lip of a plastic bed liner should be cut off so the front rail filler piece can attach directly to the front rail of the Stepside.**

**Drain tubes** (2) 1/2" drain tubes connect to the bottom of canister and can exit out the floor or front of the pickup bed. Some pickups have drain holes in the front of the bed towards each corner; others have plastic or rubber plugs that can be drilled for the tubes. If needed a 1/2" hole can be drilled into both front corners of the box. For pickups equipped with plastic bed-liners, holes for the drain tubes need to be drilled through the plastic only. We recommend drilling additional holes through the floor of a plastic bed liner at the lowest points in front to allow for water drainage.

If you have any questions or concerns please call **800-206-4070** or e-mail [retrax@retrax.com](mailto:retrax@retrax.com)

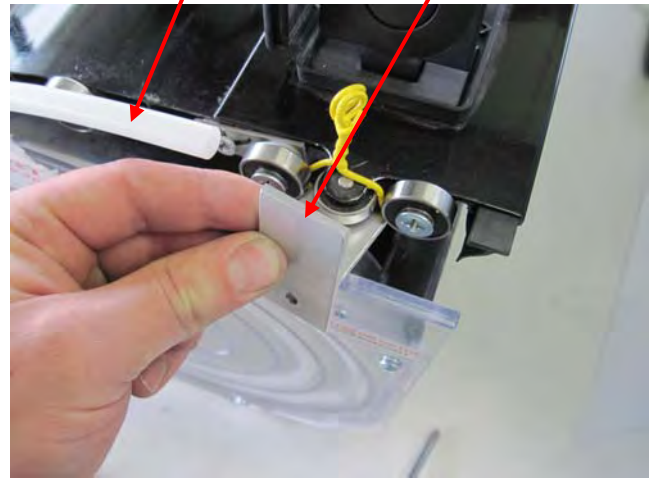
# RETRAXONE™ ASSEMBLY AND INSTALLATION INSTRUCTIONS

## STEP 1 Remove the shipping bracket and yellow wire. Completely remove white shipping tubes.

The shipping brackets can be disassembled simply by removal of the 10-32 screws fastened to each side of the canister (**Remove these items only**). The tail-gate can then be lifted away from the canister allowing for the removal of the shipping bracket by sliding the T-channel out from the wire ties. The wire ties can then be removed from the bearings without the need for cutting the wire. Pull white shipping tubes completely out of the canister.

**DO NOT ALLOW THE COVER TO ROLL INTO THE SPIRAL BECAUSE THE BOTTOM OF THE LOCK CAN DAMAGE**

Shipping tube Shipping bracket  
**Remove these items only!**

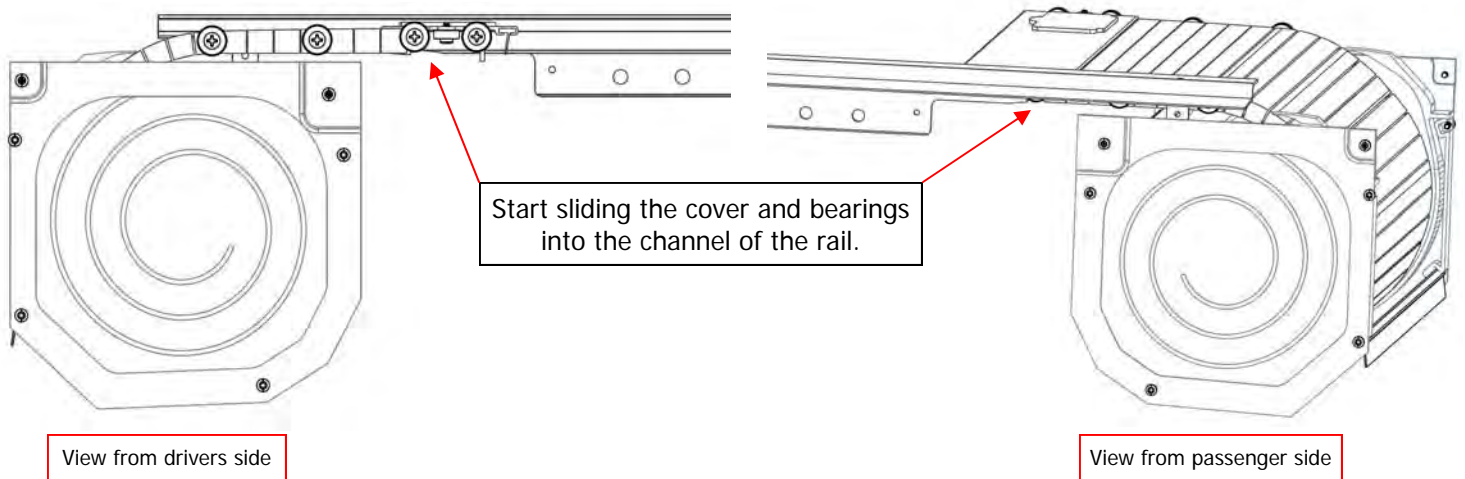


Driver side view of assembly

## STEP 2 Install the passenger rail to the spiral.

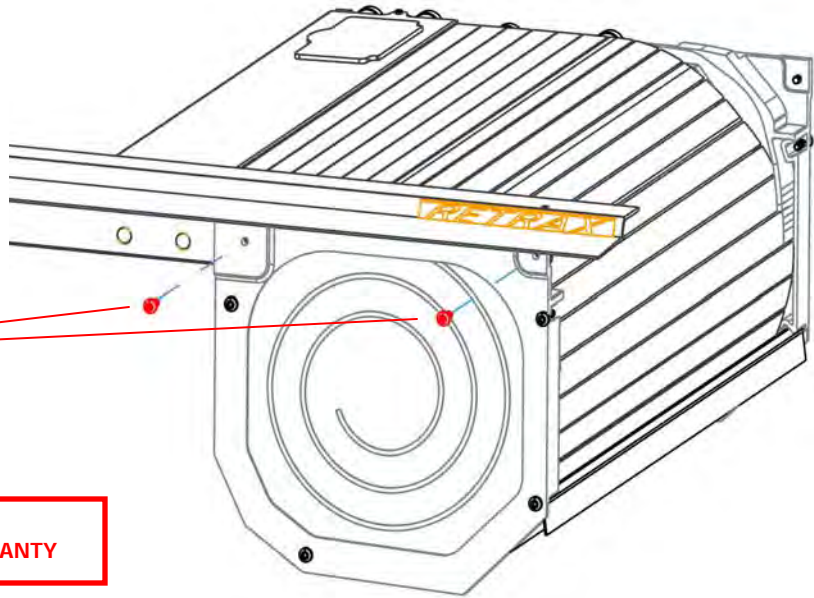
Lift up the lock cover and **open lock** by pressing release button.

Passenger rail has "inspected by" sticker under the front of the rail



## STEP 2 continued.

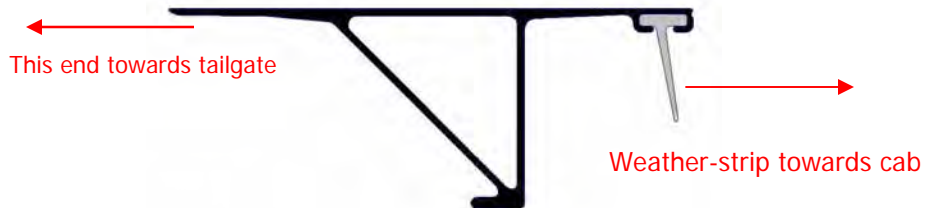
Slide the rail over the cover until the two threaded holes in the rail are lined up **behind** the two holes in the spiral. Attach using two of the **10/32 by 7/16" screws**. **Tighten** using a manual #2 Phillips screwdriver.



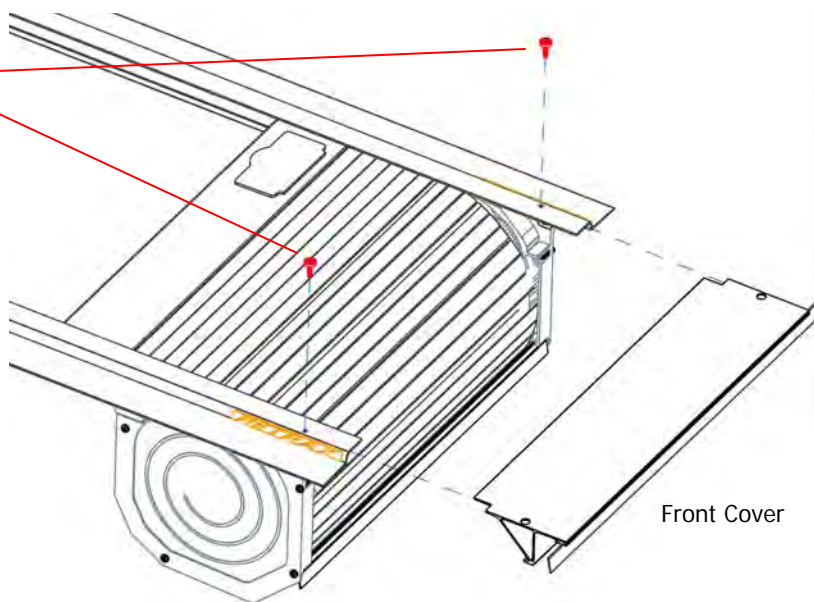
**DO NOT USE LOCTITE!**  
USE OF LOCTITE VOIDS WARRANTY

**STEP 3 Install the drivers rail.** Pull the cover out of the canister 6"-8" (See PowertraxONE Installation Supplement on how to move electric cover). **Caution: DO NOT** allow cover to roll back into canister until rail is installed. Repeat Step #2 to install the driver's rail. **Be sure all rail mounting screws are tight.**

## SIDE VIEW OF FRONT COVER



**STEP 4 Install the front cover.** The front cover is attached below the rails. Hold the cover level and push both ends in evenly to help slide it into place. When the holes are lined up, start threading the (2) **Front Cover mounting screws**. Tighten the 2 screws securely using the enclosed 1/8" Allen wrench.



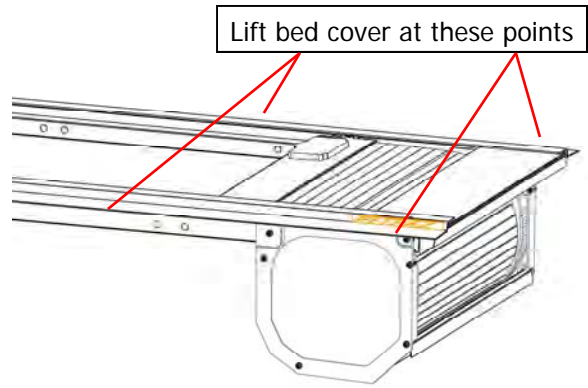
# RETRAXONE™ ASSEMBLY AND INSTALLATION INSTRUCTIONS

**STEP 5a Install front rail filler piece.** The filler piece has double faced tape that attaches directly to the front rail of the bed. The open side goes towards the tailgate-black side faces the cab. Center the filler piece over the front rail, remove adhesive backing and press firmly down into place.

**STEP 5b Lift the assembled cover into the bed.**

Roll the cover into the canister and push down firmly on the rounded end of the lock until it latches. Close the tailgate on the pickup. Using two people, lift the bed cover by the front of the rail and two feet to the back. Set the assembly in place at the very front of the bed. **NOTE: The rubber weather-strip on the front cover should lie on top of the front rail filler piece - pointed towards the cab.**

**A latch is found on a Manual Cover Only. See PowertraxONE Installation Supplement on how to move electric cover.**



**STEP 6 Position the cover.**

Move the rails forward or back to achieve a 1/8" gap between the bottom notch of the rail and the inside face of the closed tailgate or tailgate protector. Measure both sides. Use the supplied 1/8" thick measurement tool to achieve the correct 1/8" gap.

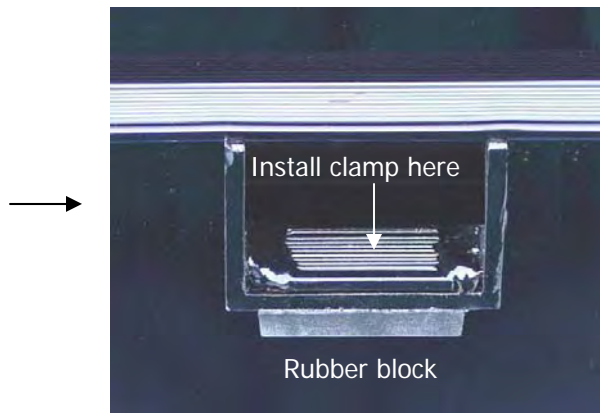


**Note:** Plastic bed liners may have to be cut at the front of bed so the bed cover can be moved forward to achieve proper 1/8" clearance at the tailgate.

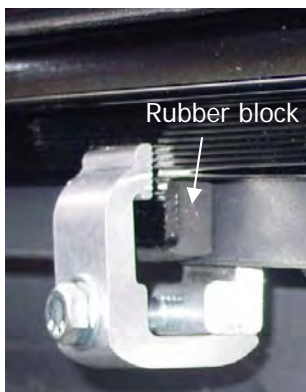
**Note:** Keep rails from moving once in position 1/8" from the tailgate.



**STEP 7 Install the front set of clamps.** Start with the two clamps closest to the canister. The Tundra Stepside uses larger clamps at the tailgate end of the rails. Proper clamp location is shown to the right. The clamps should be installed as high up as possible to engage more teeth on the rail. Using a 9/16" wrench, tighten the clamps. If the clamp wants to rotate while tightening, hold with pliers or vice-grip.



**Welded clamp bracket (bottom view)**

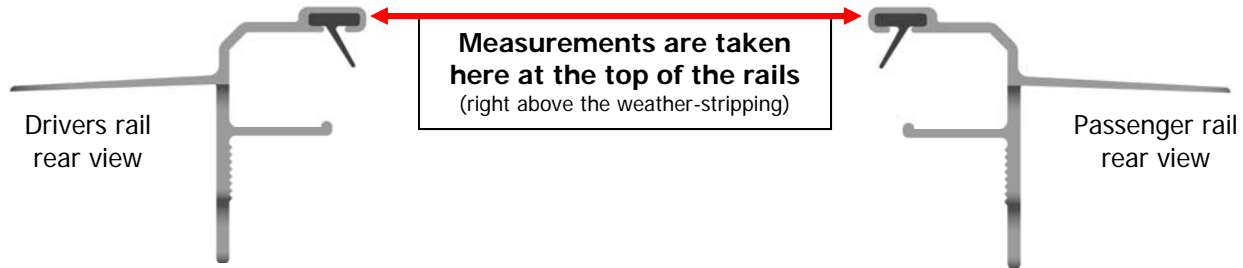


**STEP 8 Install the rear set of clamps.** Attach the larger rear set of clamps over the rubber spacers. (rail in photo is modified for clarity) Push down on the rail as you tighten the clamp bolts for a better seal on top of the pickup box rails. The rear of the rail may need to be tilted up or down for best fit over the tailgate or tailgate protector.

# RETRAX ONE™ ASSEMBLY AND INSTALLATION INSTRUCTIONS

## STEP 9 Measure the distance between the rails.

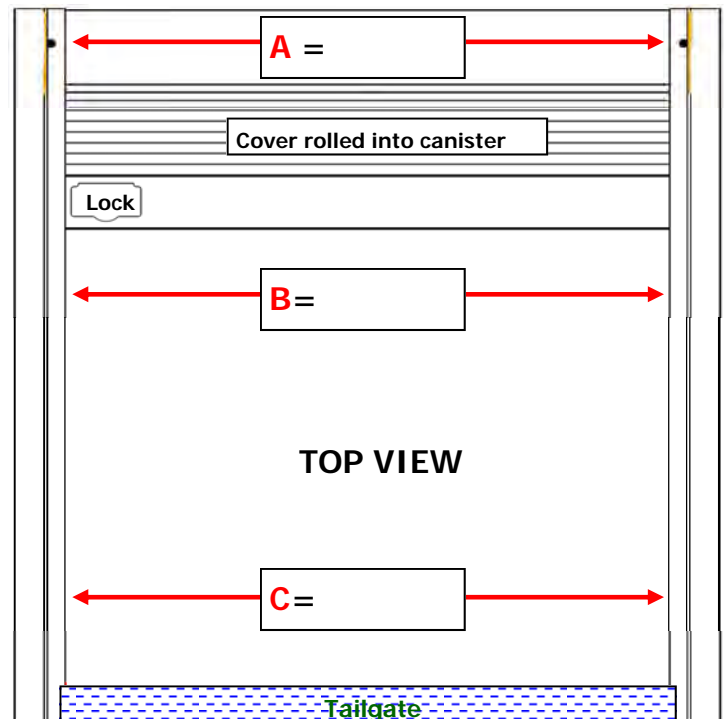
**The rails must be the same distance apart from each other (parallel) from the front to the rear.** The following steps show how to measure and adjust the rails. Measurements are taken at 3 places starting at the front. The photo to the right shows measurement being taken with a tape measure.



**STEP 9 a.** Measure and record the distance between the rails at **A** - next to front cover screws. This is your base measurement.

**9 b.** Measure and record the distance at **B** above the front clamps. (with clamps tight)

**9 c.** Measure and record the distance at **C** above the rear clamps. (with clamps tight)  
**If the measurements at B and C are not the same as A then adjustments are needed. See STEP 10.**



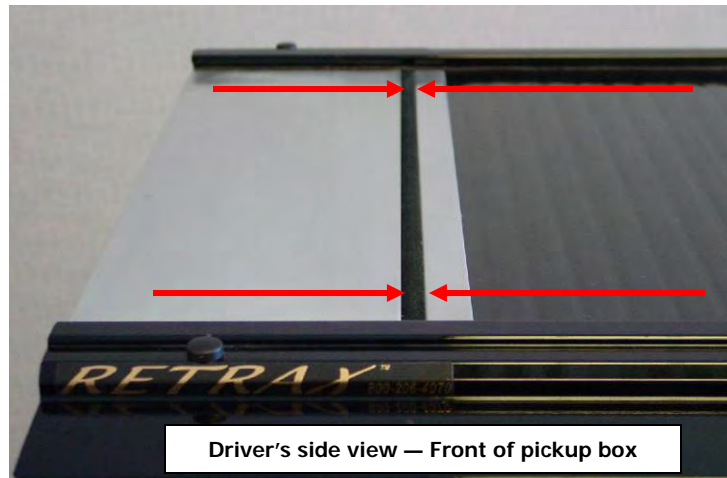
## STEP 10 Adjust distance between the rails.

If the distance measured is greater at B and/or C then remove clamps and attach rubber adjustment spacers directly to the rubber blocks.

**Continue adjustments until the distance at points B and C are the same as point A when the clamps are tight.**

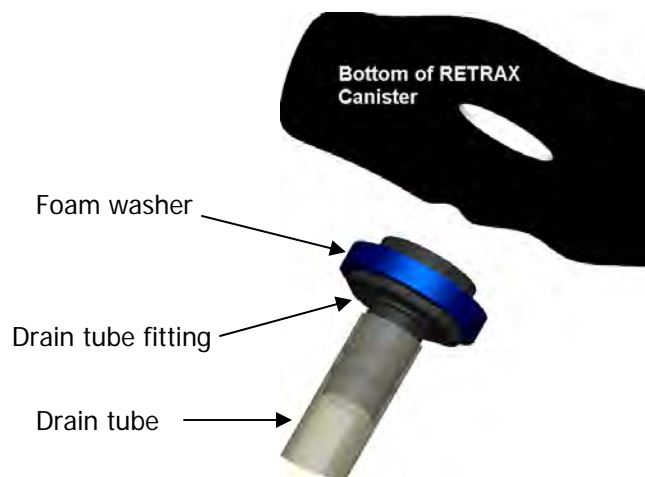
# RETRAX<sup>ONE</sup>™ ASSEMBLY AND INSTALLATION INSTRUCTIONS

**STEP 11** Check for proper fit between the front cover and the rolling cover. Using the lock handle, pull the cover closed over the tailgate and latch. The amount of weather-strip showing at the front of the rolling cover should be close to equal on both the passenger and drivers sides. (Photo shows unpainted parts for clarity) If there is less weather-strip exposed on one side, adjust that rail by removing the clamps and moving that rail towards the cab. Replace the clamps and close the cover. Check again for equal spacing at the front and readjust if needed.



## STEP 12 (a)

Remove plastic film from the canister. Place the foam washers over the drain tube fittings. Push the assembled tubes into the 2 holes on the bottom of the canister. The fitting should lock into place; test by pulling down on the fitting, it should not pull out of canister.



**STEP 12 (b)** Finish Installing the drain tubes. On some models there are factory drain holes in both front corners, on others there are plastic plugs that can be drilled out for the tubes. You can enlarge existing holes or drill new holes in the front wall or floor if needed. Be careful of what is behind when you drill. If using a plastic bed liner, then holes need to be drilled through the liner only. Cut the tubes to length to fit in desired locations.

**STEP 13** Open and close the cover to insure it is rolling without rubbing or binding. Now remove the plastic films from the cover. **(Remove film before exposing to the sun)**

**FINAL NOTES:** Be sure that all clamps are tight. The top surface of the rails should be level. Loosen the clamp, adjust rail and retighten clamp if needed. **On some models, a better fit over the tailgate or tailgate protector maybe obtained if the rear of the rail is tilted up or down slightly.** You should be able to open and close easily. The rolling resistance will decrease over time as the weather-stripping and bearings break-in.

The lock will push down easily when the cover is completely closed at the tailgate. You also will be able to latch and lock the cover anywhere else along the rail by **pushing down firmly on the rounded end of the lock handle.** In any part way open position; two thumbs may be needed to latch the cover in place. The effort needed to latch the cover will decrease as the lock mechanism takes a set. The lock can be adjusted if needed. At the bottom of the lock is an adjustable steel tip that contacts the rail. To increase or decrease the pressure, loosen the jam nut with a 7/16" wrench, adjust the steel tip in or out with an 1/8" Allen (hex) head wrench, then hold steel tip while re-tightening the jam nut.

**DO NOT lubricate the bed cover!**

See maintenance on back page

# RETRAX<sup>ONE</sup> Maintenance and Use Instructions

## USE

The Retrax cover has superior quality, rail weather-strip seals. These seals help minimize water intrusion into the pickup bed. The initial break-in period for the rail weather-strip is about 48 hours in the fully closed position. Your cover may be slightly harder to open and close during the break-in period.

### Opening and Using the Cover

Using your **RETRAX™** cover is as simple as opening the lock cover and pressing the button at the center of the latch to pop open the handle (1). If properly installed, the cover should be able to roll open and closed easily with one hand (2). During the break-in period more effort may be needed, but you still should be able to roll the cover open and closed with one hand.



### Closing and Locking the Cover

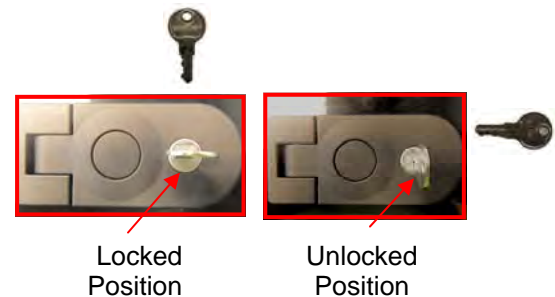
To latch your **RETRAX™** cover anywhere along the rail, push down firmly on the end of the lock handle using both thumbs (3). It takes this amount of force because it is a friction lock in any open position. The **RETRAX™** cover is easier to latch in the fully closed position due to a recess in the rail.



The teeth of the **RETRAX™** keys always face out

### Securing Loose Cargo

**RETRAX™** covers make transporting loose and large pieces of cargo safe and secure; a unique feature that most tonneau covers cannot claim. To help secure any item too big to fit under the cover, latch the lock handle shut against the item to help keep it in place (4). **CAUTION!** All large and heavy cargo must be secured by straps etc. Applied Products not responsible for shifting cargo.



## MAINTENANCE & CARE

### Cleaning and Caring for Your Cover

Treat your **RETRAX™** cover like you would treat the hood of your truck. You can wash and wax your cover like you would your pickup, but we don't recommend using any plastic cleaners or protectants (Carnauba wax is fine on your **RETRAX™** cover). To restore the luster to aluminum parts periodically use a polishing compound followed by a non-abrasive carnauba wax. The weatherstripping on your cover may absorb soapy residue from a car wash, so we recommend wiping down the inside of your rails from time to time (5).

### Important:

**NEVER** spray any lubricant or cleaner in the rails. This will void your warranty. The ball bearings are sealed and will not need any sort of lubricant or spray. If the rails do feel a little "sticky", you may rub some paraffin (candle) wax along them until they wear in (6).



Applied Products, Inc.  
917 S. 46<sup>th</sup> Street  
Grand Forks, ND 58201

www.retrax.com ▪ retrax@retrax.com ▪ 1-800-206-4070

#### **RetraxONE™** Warranty Information

- Never allow any person or animal to be transported in the pickup bed. Under no circumstances should anyone stand, sit or lay on the cover.
- The **RetraxONE™** bed cover is **not waterproof**. Applied Products, Inc. will not be held liable for damage sustained to any cargo being transported in a pickup bed equipped with a **RetraxONE™** bed cover.
- The security features on the **RetraxONE™** bed cover are intended to act only as a deterrent to theft or damage to your cargo. No guarantee is made to the ability of the **RetraxONE™** to protect valuables.

#### **RetraxONE™** Limited Lifetime Warranty

Applied Products, Inc. makes every effort to assure that its products meet high quality and durability standards and warrants to the original retail consumer/purchaser of our products that each product be free from defects in materials and workmanship as follows:

**1 year limited warranty or limited life time warranty at a pro-rated price on all**

**Applied Products, Inc. products unless specified otherwise.**

Warranty does not apply to defects due directly or indirectly to misuse, abuse, negligence or accidents, act of god, neglect or failure to operate products in accordance with instructions provided in the owner's information supplied with the product, repairs or alterations outside our facilities or to a lack of maintenance. **APPLIED PRODUCTS, INC. LIMITS ALL IMPLIED WARRANTIES TO THE PERIOD SPECIFIED ABOVE FROM THE DATE THE PRODUCT WAS PURCHASED AT RETAIL. EXCEPT AS STATED HEREIN, ANY IMPLIED WARRANTIES OR MERCHANTABILITY AND FITNESS ARE EXCLUDED. SOME STATES DO NOT ALLOW LIMITATIONS ON HOW LONG THE IMPLIED WARRANTY LASTS, SO THE ABOVE LIMITATION MAY NOT APPLY TO YOU. APPLIED PRODUCTS, INC. SHALL IN NO EVENT BE LIABLE FOR DEATH, INJURIES TO PERSONS OR PROPERTY OR FOR INCIDENTAL, CONTINGENT, INDIRECT, SPECIAL OR CONSEQUENTIAL LOSS, DAMAGE, OR EXPENSE THAT MAY RESULT FROM ANY DEFECT, FAILURE, MALFUNCTION, OR USE OF OUR PRODUCTS. SOME STATES DO NOT ALLOW THE EXCLUSION OR LIMITATION OF INCIDENTAL OR CONSEQUENTIAL DAMAGES, SO THE ABOVE LIMITATION MAY NOT APPLY TO YOU.** To take advantage of this warranty, the product or part must be returned for examination, postage prepaid, to Applied Products, Inc. Proof of purchase date and an explanation of the complaint must accompany the merchandise. If our inspection discloses a defect, Applied Products, Inc. will either repair or replace the product. Repair or replacement will be scheduled and serviced according to the normal workflow at Applied Products, Inc. and depending on the availability of replacement parts. Applied Products, Inc. will return repaired product or replacement at Applied Products, Inc. expense, but if it is determined there is no defect or that the defect resulted from causes not within the scope of Applied Products, Inc. warranty, then the user may bear the cost of storing and returning the product. This limited warranty gives you specific legal rights and you may also have other rights, which vary from state to state.

## **Important Owner Information**

Please read the instructions and owner information carefully before attempting to assemble, install, operate or maintain your **RetraxONE™** bed cover. Here are some helpful hints for keeping your cover looking and working like new.

- Automotive (non-abrasive) wax can be applied to the cover and rails for extra protection against the elements and scratches.
- Secure cargo in your box to prevent shifting of the load and possible damage to the front canister.
- The **RetraxONE™** bed cover should slide open and closed easily. Do not force the cover open or closed. Please call the **RETRAX™ Consumer Hotline (1-800-206-4070)** before attempting any maintenance or repairs.
- Care should be taken when setting any items on the cover. If the cover is dusty or an item is dragged across the cover, scratching or hazing may occur. Treat your **RetraxONE™** bed cover like the hood of your pickup. Do not wipe dust off the cover; it should be washed off.
- With proper care, the polycarbonate cover on your **RetraxONE™** will last for many years. It should be cleaned with mild soap and water. Do not use any strong chemicals or cleaners of any kind. Do not allow gasoline to come in contact with the cover.
- The ball-bearing rollers installed on your **RetraxONE™** are sealed-for-life and no maintenance or lubrication is required.

**(Do Not use a lubricant)**

The channel of the rail can be wiped clean, if needed, to remove dust or dirt.

- Every effort has been made to make the **RetraxONE™** weather-tight, however, the **RetraxONE™** is not waterproof. Use extra care to prevent damage to items during severe weather conditions or while entering a car wash. Water may collect on the cover, remove water before opening.
- Do not force your **RetraxONE™** open if ice forms on your bed cover after an ice storm or car wash. You should use your hand to tap around the perimeter of the cover, which should free up the weather-stripping that seals the bed cover along the edges.



# RETRAYONE™



*Rolls Past* The Competition!





***Applied Products, Inc.***

917 S. 46th St.  
Grand Forks, ND 58201  
Tel: 701-746-5596  
Toll Free: 800-206-4070  
Fax: 701-746-5598  
Web: [www.retrax.com](http://www.retrax.com)



**Made in the USA by  
An Employee Owned Company**